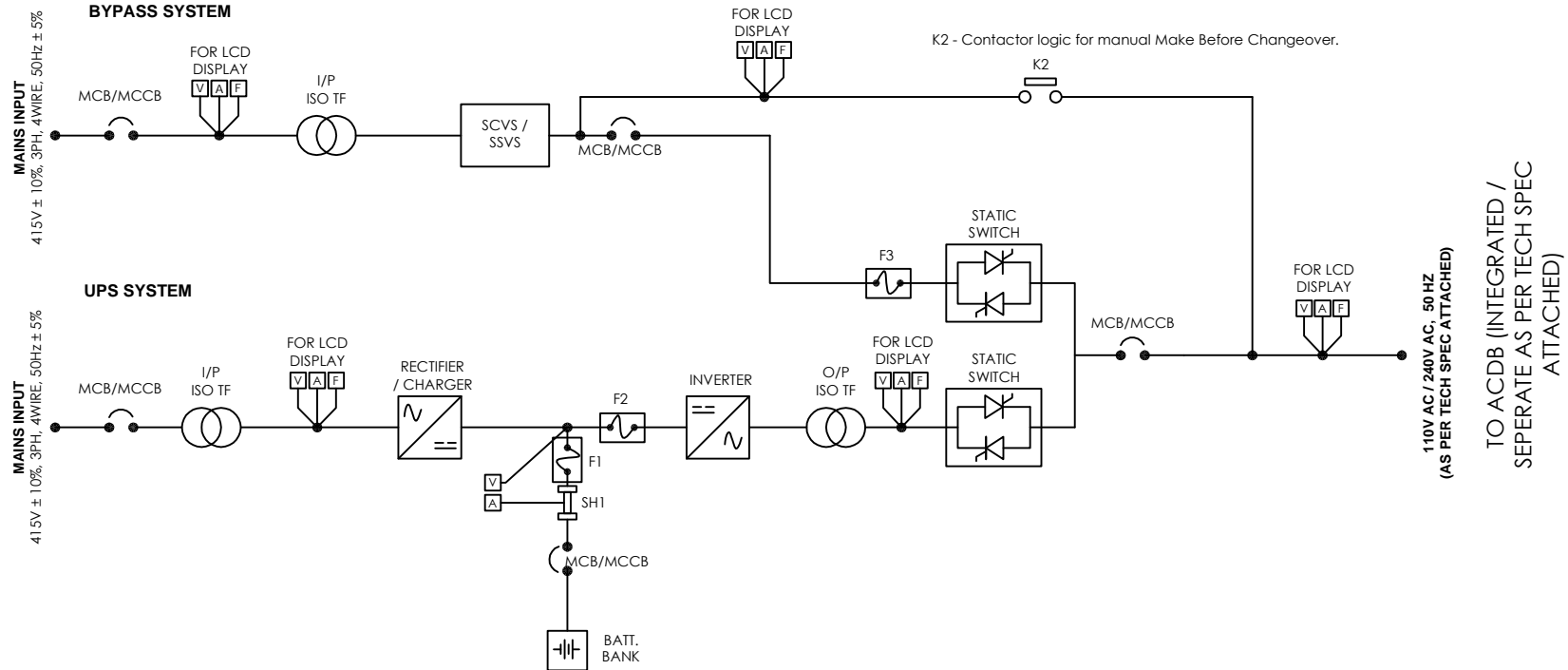


LIVELINE ELECTRONICS AND MUST NOT BE COPIED OR LENT WITHOUT THERE PERMISSION IN WRITING

STAND ALONE UPS (FULL CONFIGURATION)



THIS IS TENTATIVE SLD.
IT CAN BE CHANGED AS PER CUSTOMER REEQUIREMENT.

.O.No.:

END USER :

Title: - SINGLE LINE DIAGRAM FOR PROPOSED UPS (AS PER TECHNICAL SPEC ATTACHED)

LIVELINE ELECTRONICS
orth Ramchandrapur, Narendrapur,
olkata-700103
elephone: 033-64520115
-mail: info@livelineindia.com
www.livelineindia.com



DATE
Dm.
Chd.
App

Issue
Amendments/revision
Date
Name

FOR PROPOSAL PURPOSE

02.04.19

Client :

Drg.No : SLD-2F-18UPS REV. : 00

SCALE : NTS

PROJ.REF :

SHEET NO : 01

NO.OF SHEET : 01